



Quik Stage Inc.
2121 107th Lane NE
Blaine, MN 55449

763-783-7373 Phone
1-877-783-7373 Toll Free
763-783-7366 Fax

Congratulations on the purchase of your quality portable staging system and/or stage accessories from Quik Stage. The following are detailed instructions to assist you in the set-up and assembly of your new staging and related components. Our engineer has designed every component to be assembled with ease and with a minimal amount of labor and tools. Our first and foremost concern is for the safety of anyone working with or using our products, so please take extra time to make sure that the staging system has been assembled correctly before using. **If at anytime you do not understand these instructions or are having difficulty assembling the stage or accessories, you need to contact Quik Stage for immediate assistance toll free 1-877-783-7373 or 763-783-7373.**

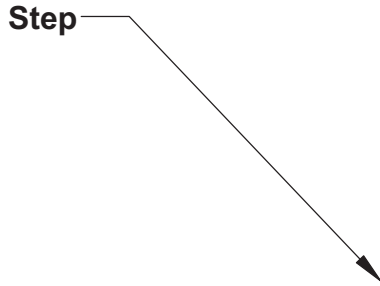
Please Read Carefully Before Proceeding:

The equipment described herein is intended to be used in a commercial application and you the buyer agree to operate and maintain the equipment for its intended use in a professional and competent manor as per Quik Stage instructions and recommendations. You are responsible for following applicable governmental standards and good commercial practices using professional and competent mechanics and/or assemblers. If at any time, and for any reason, the staging and related accessories cannot be adequately and safely used for its intended use, the buyer agrees not to use the equipment until proper repairs or corrections are made. **Quik Stage assumes or accepts no responsibility for any damage or failure to any of our stage components or injuries to person or persons due to improper installation or maintenance.**

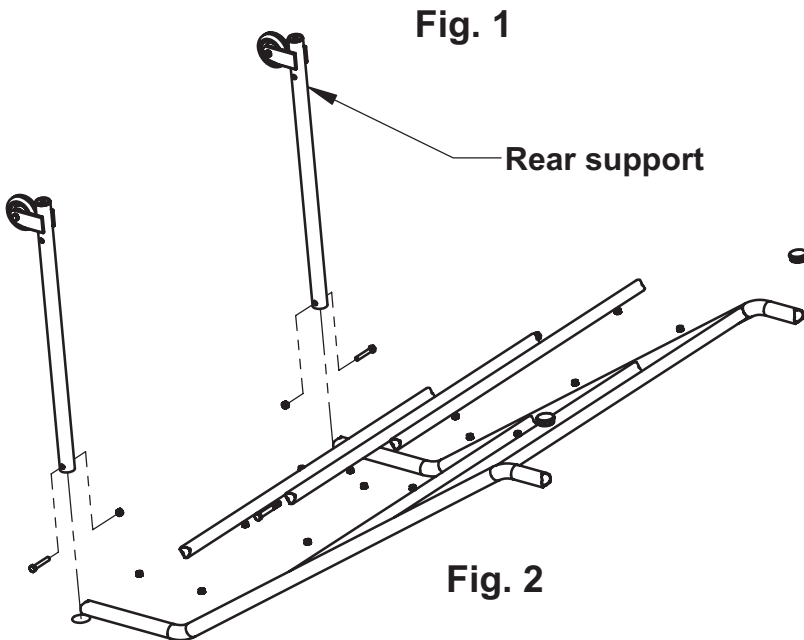
In the unlikely event any of the portable stage or staging accessories arrived damaged, do not attempt installation and contact Quik Stage immediately.

1-877-783-7373 Toll Free
612-868-4447 Cell Jim Feneis
612-968-6789 Cell Chris Feneis

QSST4- 4 STAGE STEP ASSEMBLY INSTRUCTIONS

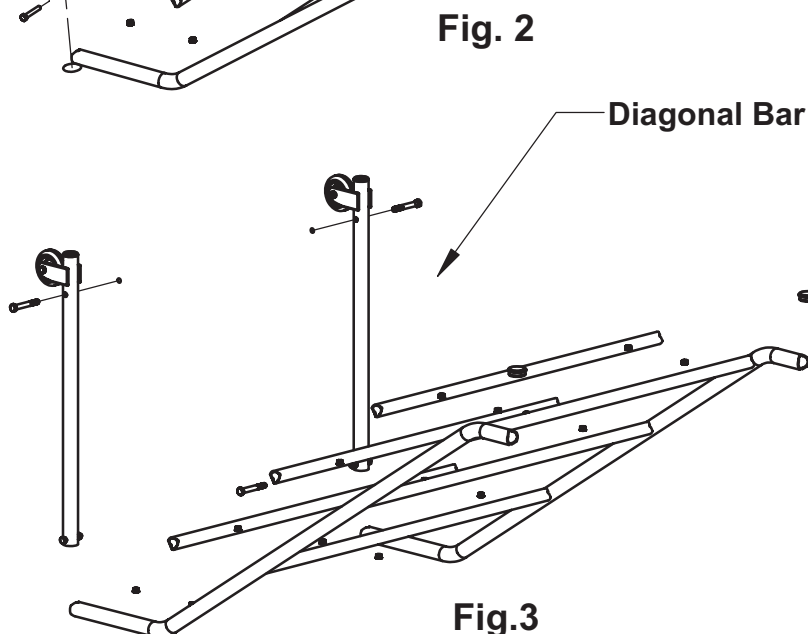


1. Carefully place *step* unit upside down on the floor as shown. (Fig. 1)



2. Slowly insert the *rear support* into the step joint sleeves until all holes are aligned. (Fig. 2)

3. Install the 2" long bolts and nuts through the holes. (Do not tighten.)



4. Swing the *diagonal support bars* up until the holes are aligned with the rear support mounting holes. Fig. 3.

5. Secure the bars with 2-3/4" long bolts and nuts

6. Tighten all bolts and nuts.

QSST4- 4 STAGE STEP ASSEMBLY INSTRUCTIONS

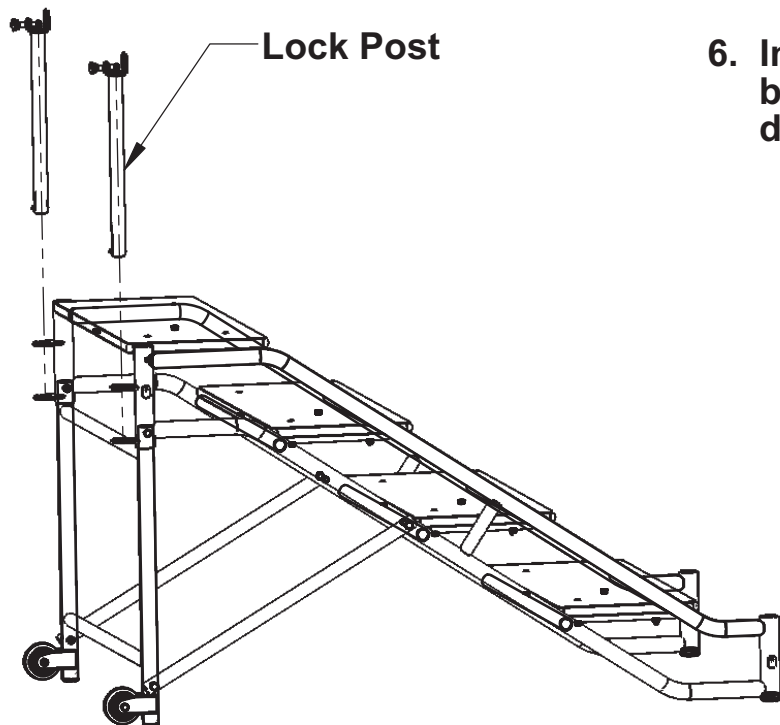


Fig.4

6. Insert lock post into both ring yokes by pressing down the post end spring dimple. (Fig. 4)

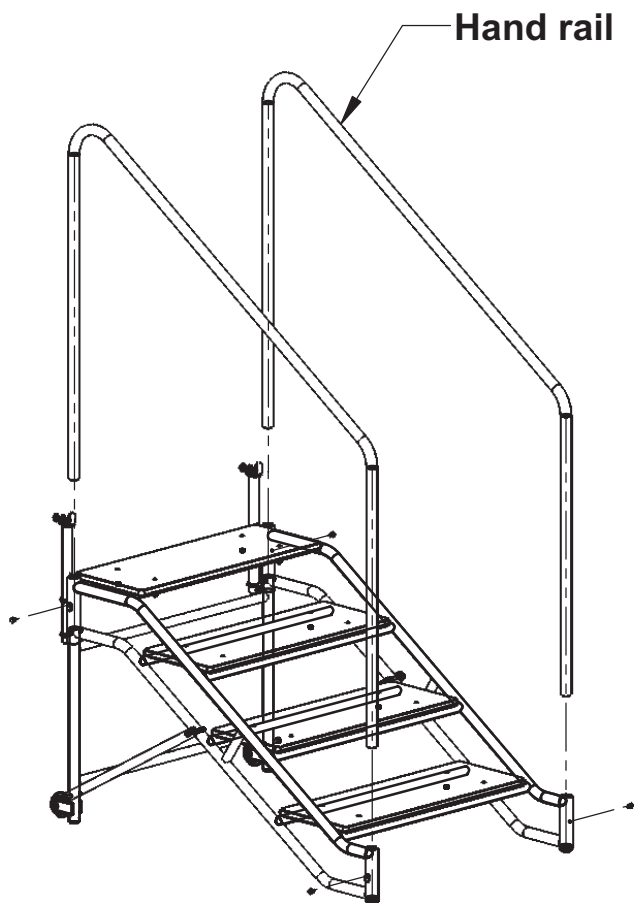


Fig.5

7. Install the *hand rails* by inserting them into the sleeves as shown in Fig. 5.
8. Secure the hand rails by installing four 5/16-18X1/2" bolts.
9. Tighten bolts with moderate force.

QSST4- 4 STAGE STEP ASSEMBLY INSTRUCTIONS

ITEM NO.	PART NUMBER	DESCRIPTION
1	69356A	FINAL FRAME ASSY
2	69358A	REAR SUPPORT ASSY
3	13454	TUBE, DIAGONAL
4	13455A	HAND RAIL
5	59031A	STEP PANEL ASSY
6	69346A-1	POST WELDMENT
7	17004	VALCO SPRING
8	17104	1/4-20 FIN NECK FLAT BOLT
9	17106	1/4-20 HEX KEPT NUT
10	19556A	3"DIAx7/8W CASTER
11	17243-2	7/16 ID FLAT WASHER
12	19557	Ø1.25 SPRING GLIDE
13	19125	1.25 DIA. SPRING GLIDE
14	17124	5/16-18 X .50 HEX HD CAP SCREW
15	17049-11	3/8-16x2.00 HEX CAP SCREW
16	17049-16	5/16-18 X 2.0 HEX HD CAP SCREW
17	19902X	5/16-18 CLAMP KNOB W/STUD
18	17140	5/16-18 HEX LOCK NUT
19	17152	3/8-16 NYLON LOCK NUT

